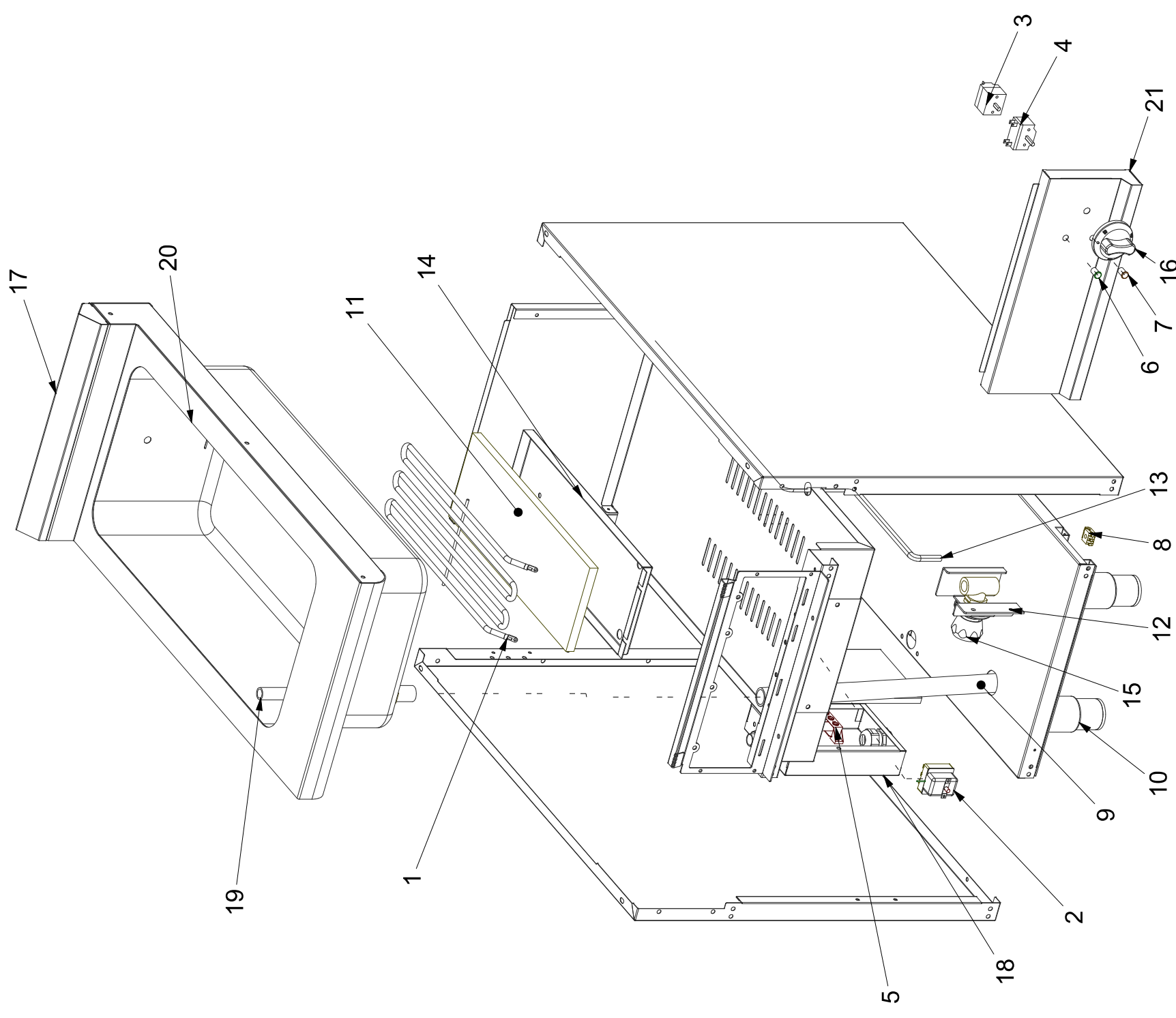


N. ELEMENTO.	NUMERO PARTE
1	07-99600059 RESISTOR 1,8kW 230V
2	08-99600069 SAFETY THERMOSTAT 120°
3	08-99900149 WORKING THERMOSTAT 110°
4	09-16520049 2-POLES SWITCH
5	14-99900749 3-POLES TERMINAL
6	14-99901620 GREEN WARNING LIGHT
7	14-99901621 ORANGE WARNING LIGHT
8	14-99902115 ELEMENT FOR GROUNDING
9	15-99900229 PIPE FOR WATER DISCHARGE
10	15-99901801 STANDARD FOOT D.58X120-185H
11	42-19811669 INSULATION
12	23-99600643 TAP SUPPORTING ELEMENT
13	15-99900219 TUBE FOR WATER INLET
14	23-99702239 BOX FOR RESISTOR
15	25-99900219 WATER TAP
16	29-99701009 KNOB
17	NEUTRAL GRID FOR CHIMNEY
18	KIT FOR ELECTRIC BOX
19	14-99700422 OVERFLOW PIPE 3/4 50H
20	WA-83300029 TOP
21	WD-99600220 FRONTAL PANEL



Ciente:

Prodotto: LQ-BME1BA\_ESPLOSO

kW gas: kW elettrico:

Data: 26/03/2021 Revisione: 1 del 10/12/2021 Scala: 1:8 Designer: Andrea Francini

Note:



CASTA s.r.l.

Stab. 1 e 3 - Via F.lli Lumière, 11 - Z.I. Villa Selva  
 Stab. 2 - Via F.lli Lumière, 30 - Z.I. Villa Selva  
 47122 Forlì - FC - IT  
 www.castacom.com - e-mail: casta@castacom.com  
 Tel. +39.0543.782920 - Fax+39.0543.782925